

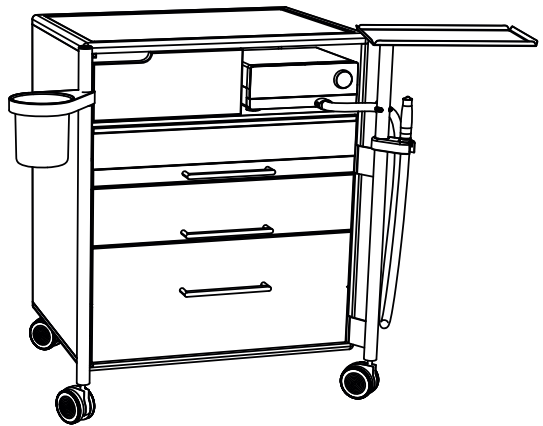
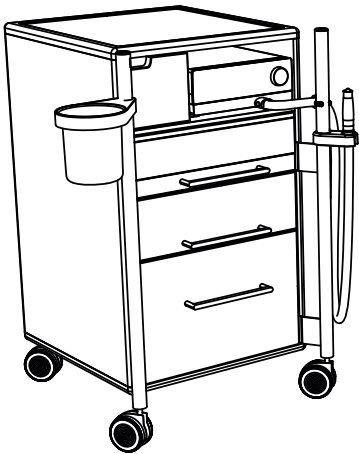


RUCK®

FÜR FUSS UND PFLEGE

ROOM CLASSIC

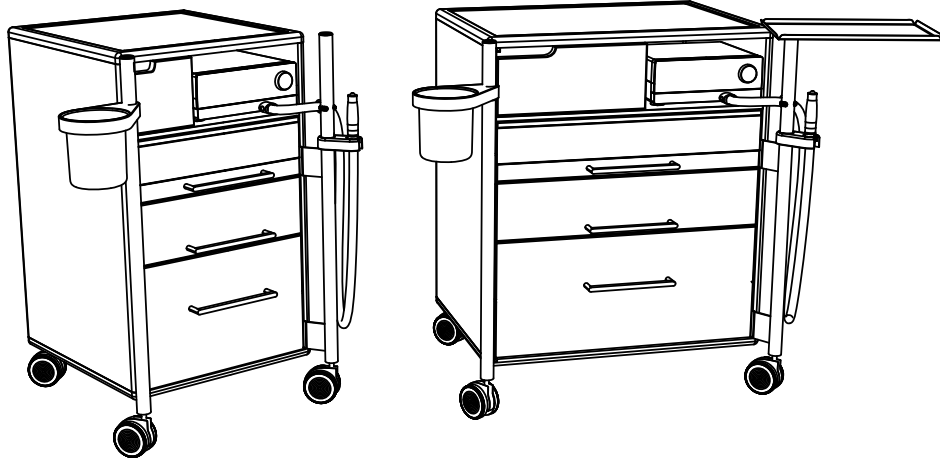
INSTRUCTIONS FOR USE



The RUCK® ROOM classic is available in two versions:

RUCK® ROOM classic S
1070101 Standard

RUCK® ROOM classic M
1070201 Standard



HELLMUT RUCK GmbH | Daimlerstrasse 23 | D-75305 Neuenbürg, Germany
web www.hellmut-ruck.de | tel. +49 (0)7082. 944 20 | fax +49 (0)7082. 944 22 22

Copyright

© 2020 Hellmut Ruck GmbH. All rights reserved. This document must not be copied, edited, reproduced or translated without the prior written permission of Hellmut Ruck GmbH.

Dear Customer,

With the purchase of a RUCK® ROOM classic S or M, you have chosen a high-quality cabinet from the RUCK® ROOM classic series. This product systematically integrates the clinical experience of many pedicurists and podiatrists, satisfying the rigorous requirements imposed on function and hygiene. A high degree of movability, drawers that slide easily and functionality have become a reality with the RUCK® ROOM classic cabinet series.

Proven in practice for years, all cabinets employ the unique two-column principle, which offers you crucial advantages in terms of stability and mobility. German production quality from start to finish.

All cabinets are subject to constant quality control. Nevertheless, if you should experience problems or have questions, please contact our service department.

We sincerely thank you for the trust you have placed in our company and wish you satisfaction in your daily work with our product.

Please take some time to read through these instructions for use carefully before setting up the product and keep them in a safe place.

Kind regards, Hellmut Ruck GmbH



GENERAL INFORMATION	5
SAFETY NOTICES	6
DEVICE DESCRIPTION	7
SCOPE OF DELIVERY	8
SET-UP	9
OPERATING THE UV COMPARTMENT	11
ACCESSORIES	13
SPARE PARTS	15
CLEANING AND DISINFECTION	17
WARRANTY	19
DISPOSAL	19
TECHNICAL DATA	20

Page

DECLARATION RELATING TO THESE INSTRUCTIONS FOR USE

Hellmut Ruck GmbH reserves all rights to modify and supplement these instructions for use. Hellmut Ruck GmbH has taken great care to keep these instructions free of inaccuracies and omissions. Please contact us if you find mistakes or inaccuracies. However, Hellmut Ruck GmbH assumes no liability for mistakes in these instructions for use or consequential damage resulting from the provision of these instructions for use or their application when using the product.

These instructions for use must not be disseminated or supplemented without the express approval of Hellmut Ruck GmbH.

SYMBOLS USED



This symbol identifies a potential point of danger for people or for the device itself. It must be taken note of.



This symbol identifies useful advice. Additional information about the product and how to use it is provided here.

INTENDED USE

Intended purpose:

The RUCK® ROOM classic series is suitable for use in practices for foot care, podiatry and cosmetics, and in a clinical environment.

Site of use:

The cabinets must only be operated in dry rooms that are not subject to explosion hazard.

Operating mode:

The cabinets are designed for continuous operation.



PACKAGING

The packaging has been designed to protect the product while in transit. The packaging materials used have been selected with due regard for environmental issues and can be recycled.



Danger of explosion!

Using the RUCK® ROOM classic series in areas subject to explosion hazard can trigger an explosion.



Always unplug the mains plug before cleaning and/or disinfecting.

Proper use of the LED compartment [1.1]

Only switch on the LED light if the sterilisation drawer is installed correctly and completely closed and the viewing glass is undamaged.

Do not exceed the load that can be connected to the power sockets as indicated.

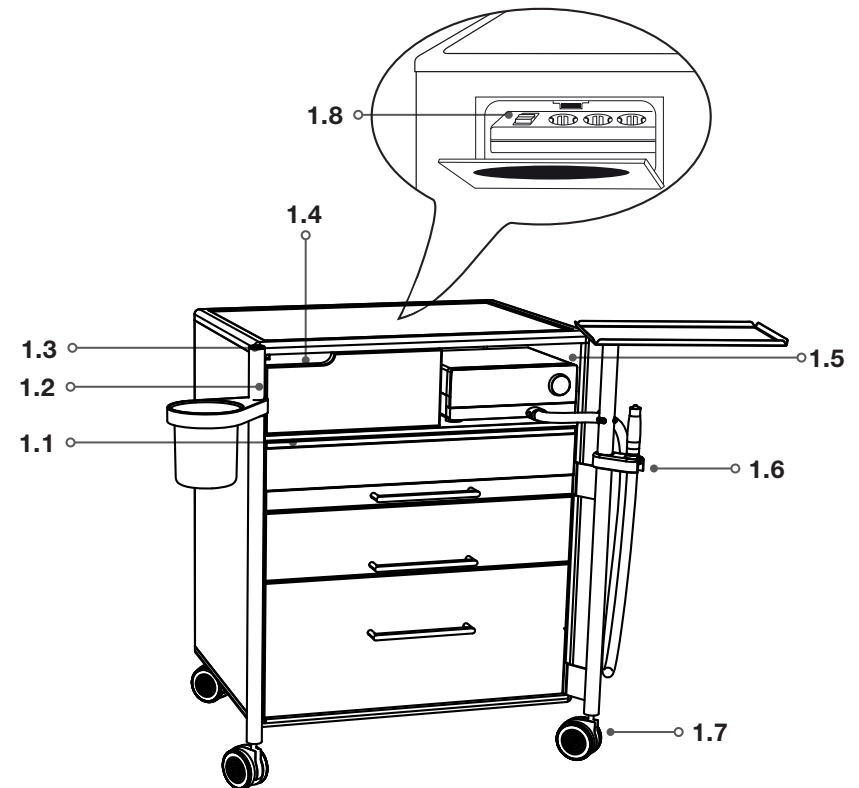
Proper status of the mains connection line

If you should determine that the power cable or any other cable is damaged, unplug the power plug and arrange for the faulty cable to be replaced by a qualified electrician.



Motor compartment use [1.5]

You should only place equipment in the motor compartment that does not develop excessive heat. The required measurements to allow for good ventilation as specified by the manufacturer must be complied with.



- | | | | |
|------------|--------------------------------|------------|-----------------------------|
| 1.1 | LED COMPARTMENT (OPTIONAL) | 1.5 | MOTOR COMPARTMENT |
| 1.2 | STAINLESS STEEL SUPPORT COLUMN | 1.6 | HANDPIECE HOLDER (OPTIONAL) |
| 1.3 | LAMP HOLDER (OPTIONAL) | 1.7 | HANDBRAKE |
| 1.4 | CABLE GUIDE | 1.8 | MULTIPLE SCHUKO SOCKET |

Check that the delivery is complete.

RUCK® ROOM classic S

- Cabinet body W x H x D 45 x 82 x 48 cm incl. columns
- Motor compartment W x H 28 x 14.5 cm
- 4 wheels, of which 2 can be braked
- Standard accessories, see pages 12–15

RUCK® ROOM classic M

- Cabinet body W x H x D 65 x 82 x 48 cm incl. columns
- Motor compartment W x H 28 x 14.5 cm
- 4 wheels, of which 2 can be braked
- Standard accessories, see pages 12–15

For furniture in high gloss, **please carefully and completely remove the protective film.**

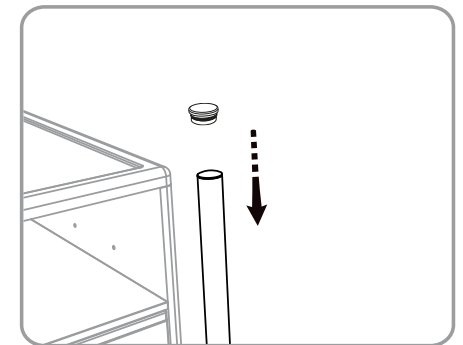
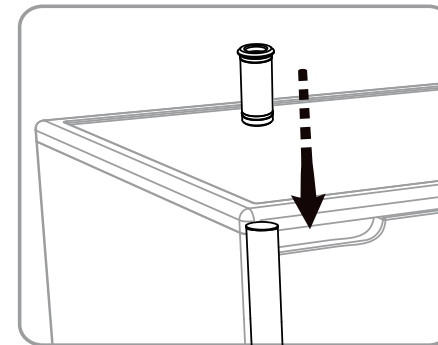


After you peel off the film, the surface takes approx. 72 hours to reach its final hardness; during this time the surface should be handled particularly gently.

Prior to setting up the product, please check whether the mains voltage matches the rated voltage and frequency specified on the rating plate (in the motor compartment).

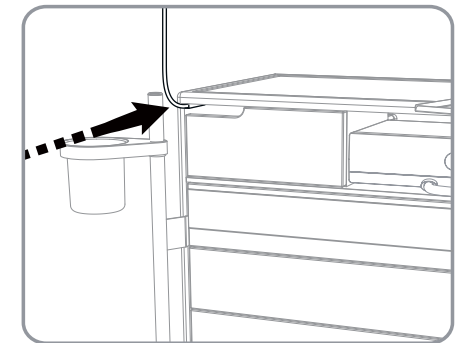
The multiple socket outlet can be connected to any Schuko socket. [2.0]

Lightly grease the rubber rings and press them into the tube before installing the lamp holder and the column cover.



Mains cable of the magnifier lamp

The mains cable of the magnifier lamp is fed into the cabinet at the upper left and held in place by the cable holder. The provided socket is on the inside of the rear wall of the furniture.

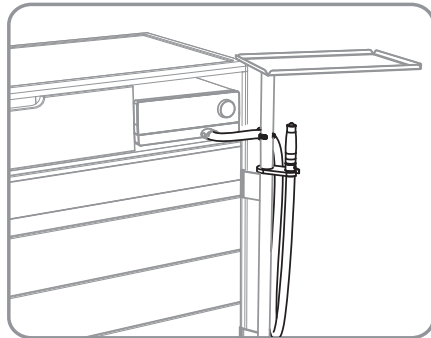
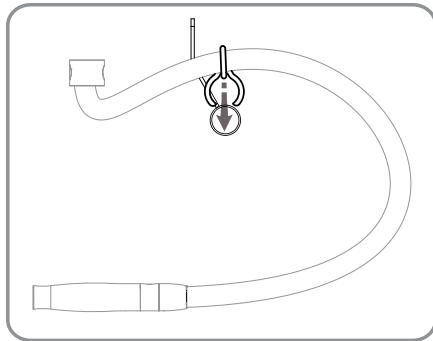
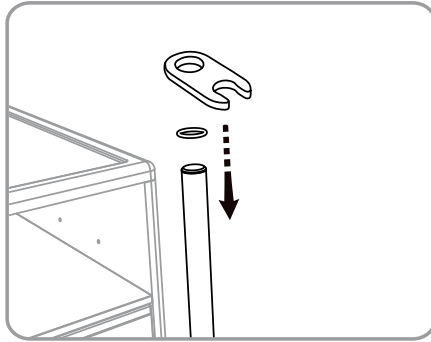


Handpiece holder

Mounting on the right column

- Slide the O-ring over the column
- Fit handpiece holder
- Attach the clip to the column

The O-ring is used to set the height of the handpiece holder. The hose is attached to the column with the included clip.

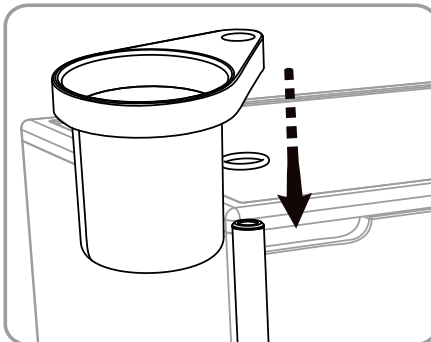


Used article container (optional)

Mounting on the left column

- Slide the O-ring over the column
- Fit the used article container

The O-ring is used to set the height of the used article container.



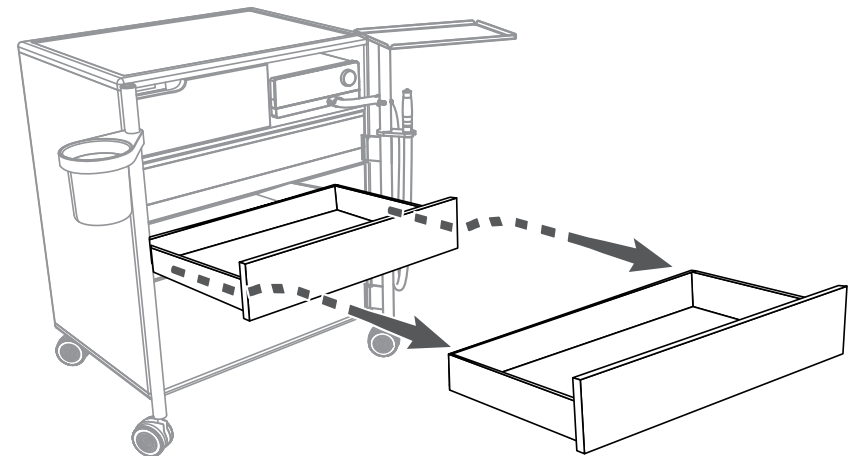
ON/OFF SWITCH

The On/Off switch of the LED compartment is on the rear of the cabinet. The LED light turns off automatically when the drawer is pulled out.

REMOVAL OF THE DRAWERS

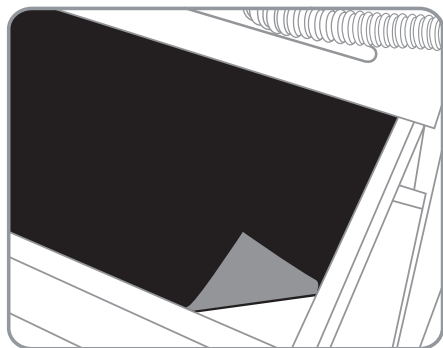
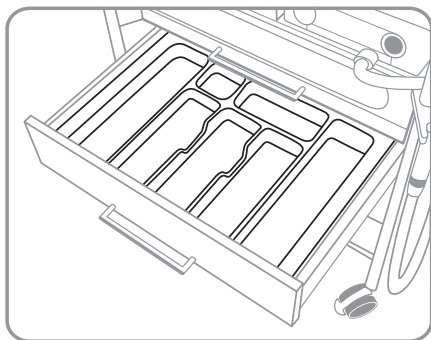
The entire drawer can be removed. To do this, pull the drawer out; approx. 10 cm before the stop, lift it slightly and pull it out horizontally until you hear the drawer disengage. To reinsert the drawer, place it onto the extended rails and push it in completely.

The drawer next to the motor compartment cannot be removed.



1024501 **Drawer insert with division for RUCK®ROOM classic S**

1024502 **Drawer insert with division for RUCK®ROOM classic M**



1085401 **Anti-slip mat**

1021001 **Stainless steel used article container with special holder**



1021501 **Stainless steel instrument tray with special holder**



On the support columns, you can install adaptable magnifier lamps from WALDMANN or install magnifier lamps by Luxo and iQ using a spacer sleeve. Other makes available upon request.

1205401 **PODOLOG CIRCLE XL classic, BLACK EDITION**

1205402 **PODOLOG CIRCLE XL classic, WHITE EDITION**

1205501 **PODOLOG CIRCLE XL professional, BLACK EDITION (connection to cabinet rear wall)**

1205502 **PODOLOG CIRCLE XL professional, WHITE EDITION (connection to cabinet rear wall)**

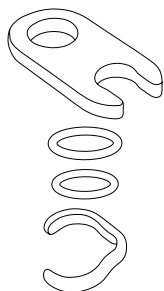
1200701 **WALDMANN ring magnifier light RLL 122**

1200501 **LUXO magnifier lamp Circus LED**

1207001 **Daylight iQ LED magnifier lamp, white/grey**



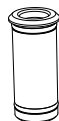
4821501 **O-ring**



Handpiece holder for RUCK® ROOM classic furniture
4823403 **for PODOLOG NOVA and PODOLOG NOVA 2**
4823402 **for PODOLOG ECO (11011)**
4823401 **for PODOLOG NOVA 3, PODOLOG ECO (11005) and PODOLOG ONE**

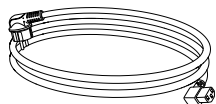


4821301 **Column cover**

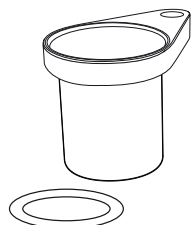


4821201 **Light holder for Waldmann**

1201501 **Spacer bush for Luxo magnifier lamps**
1201502 **Spacer bush for iQ LED magnifier lamp**

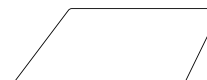
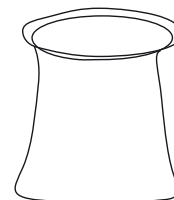


4822701 **Mains cable**



4822401 **Used article container set for RUCK® ROOM classic S/M**

1033201 **Bin liner for used article container**



4022601 **SILICONE MAT FOR RUCK® ROOM classic S**
4022602 **SILICONE MAT FOR RUCK® ROOM classic M**

Please contact RUCK SERVICE for more spare parts.

If you have any questions, please also contact our RUCK SERVICE department

Telephone +49 (0)7082 944 22 55

Fax +49 (0)7082 944 22 59

E-mail service@hellmut-ruck.de



Danger of damage due to incorrect care of artificial leather, plastics and wood surfaces!

Disinfect the contact surfaces after each treatment with RUCK surface disinfection wipes, medical product, alcohol-free (item no. 2967002, item no. 2967102 or item no. 2967202). Please observe the exposure times of the disinfectants according to the product labelling.

Danger of damage due to improper care of surfaces. Do not use any concentrated disinfectants, solvents, cleaning agents or liquids that contain alcohol (>50 % alcohol content). Do not use spray disinfection.

Take great care to ensure that the cleaning utensils used are clean. If mineral contaminants such as grains of sand or dust are embedded in the cleaning agents, this can destroy the surface. Do not use any scouring agents, such as abrasive cleaners, cleaning sponges or similar items that may contain abrasive particles. Residues of leaked fluids must be removed from the surface immediately with a soft cloth.

For gentle cleaning of the surfaces, use a soft cotton cloth or the RUCK microfibre cloth, which is also suitable for wood surfaces (item no. 29616).

Caution: Other cleaning cloths with plastic fibres can have an abrasive effect and consequently they can damage the surface.

Over time, traces of use can appear on the surfaces. These are more or less noticeable depending on light incidence. They do not constitute a lessening of utility. As is the case with all surfaces over the long term, due to the wear involved in the daily routine of the medical practice, they cannot be avoided. Spots or stains caused by liquids that may corrode the surface (such as propolis, tea tree oil, cleaners that contain chlorine or similar substances) are categorically excluded from the warranty.



Danger due to disease transmission!

Insufficient disinfection can lead to transmission of disease. Always comply with the requirements of the responsible national body for hygiene and disinfection. Disinfect the instrument tray and handpiece holder after each use. Use the RUCK® alcohol-free disinfectant wipes, 150 pieces, 12 x 20 cm-free (item no. 2966702). Do not use any spray disinfectants. It must be possible to effectively evaporate surface disinfectants before the next treatment; allow surface disinfectants to thoroughly dry as specified by the manufacturer, but do not wipe surfaces dry.

WARRANTY

The product comes with a 2-year warranty. Normal wear of surfaces, casters, handles etc., and other moving parts is excluded from the warranty.

The warranty runs from the date of purchase when the product was first bought. The date of purchase must be confirmed by the sales receipt. Within the scope of the warranty, HELLMUT RUCK GmbH will, at no charge, either repair or replace the defective products – at RUCK’s discretion.

The prerequisite is carriage-paid shipment of the defective product together with the purchase receipt. The local agent is responsible for claims made outside of Germany. In case of doubt, please check with RUCK before returning the device.

The warranty becomes null and void if we find that the problem was caused by improper or incorrect installation/assembly or usage, by non-observance of the instructions for use, by external intervention or as a result of a non-authorised repair or modification.

The warranty is limited to repair or replacement of the product. Further liability (particularly loss of revenue or earnings) is excluded. If however, it turns out that it is a problem that is not covered by the terms of the warranty or that the period of the guarantee has elapsed, any costs for inspection and repair must be borne by the customer.

We reserve the right to make changes to and deviations from the technical design.

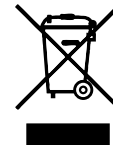
DISPOSAL



ENVIRONMENTAL HAZARD!

Incorrect disposal endangers our environment.

The RUCK® ROOM classic is to be disposed of through available return and collection systems at the end of its service life!

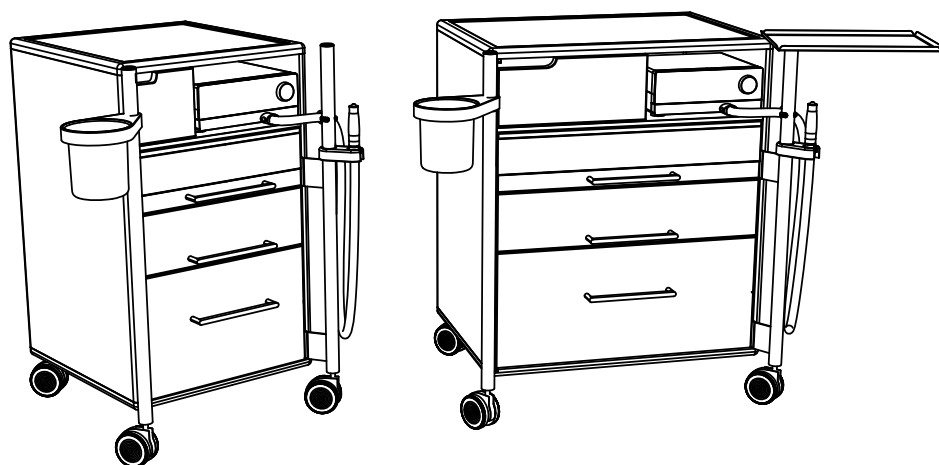


TECHNICAL DATA

Mains connection: 230 V / 50 Hz (110 V / 60 Hz – optional)

Rollers: 4 lightweight rollers for hard floors, of which 2 can be braked

Sockets: 1 4-socket outlet in the motor compartment



MEASUREMENTS

	S	M
Dimensions – cabinet H/W/D:	82.5/50.5/56.5 cm	82.5/70.5/56.5 cm
Motor compartment dimensions with installed small drawer H/W/D:	14.8/27.8/42.5 cm	14.8/27.8/42.5 cm
Inner dimensions of upper drawer H/W/D:	9/37/37.5 cm	9/57/37.5 cm
Inner dimensions of second drawer H/W/D:	10.5/37/37.5 cm	10.5/57/37.5 cm
Inner dimensions of lower deep drawer H/W/D:	24/37/37.5 cm	24/57/37.5 cm



HELLMUT RUCK GmbH
Daimlerstrasse 23
D -75305 Neuenbürg, Germany
Tel. +49 (0)7082 944 20
Fax +49 (0)7082 944 22 22

E-mail contact@hellmut-ruck.de
Website www.hellmut-ruck.de