



RUCK®

FÜR FUSS UND PFLEGE

RUCK® | **PODOLOGNOVA®** + **PODOLOGNOVA®**^{3S} REPLACEABLE CHUCK



8015702 | operating instructions for PODOLOG NOVA 3/3s
replaceable chuck | REV 03 | revision status 11.11.2020

CE 0483

01 SCOPE OF DELIVERY	3
1.1 Service parts	3
02 PREPARATION	3
2.1 Removing the handpiece holder	3
2.2 Removing the fixing tape	4
2.3 Unscrewing the clamping unit	4
03 SCREWING IN THE CLAMPING UNIT	5
3.1 Attaching the clamping unit to the motor	5
3.2 Resistance when screwing in the clamping unit	6
04 COMPLETION	7
4.1 Attaching the fixing tape	7
4.2 Putting on the handpiece holder and screwing it on again	7



Please note: The replacement of the clamping unit described below does not replace the biennial maintenance of your **PODOLOG NOVA 3/3s** (in the further course: PN3/PN3s) by **RUCK SERVICE**.

Observe the manufacturer's specifications and instructions.

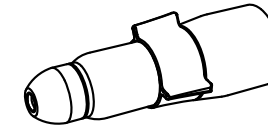


As contaminated dust particles can be released during the replacement procedure, please wear mouth protection. Disinfect the workstation and the device afterwards using a suitable surface disinfectant. Use **RUCK®** surface disinfection wipes, alcohol-free (item no. 2966702) medical product – do not use any spray disinfectants. It must be possible to effectively evaporate surface disinfectants before the next treatment; allow surface disinfectants to thoroughly dry as specified by the manufacturer, but do not wipe surfaces dry. Please observe the prescribed application time. 1 minute for bacteria or 5 minutes for fungi. Further information on the disinfectant.

- 1.1 Service parts** | item number 1106601 replaceable chuck for PN3
item number 1106701 replaceable chuck for PN3s



1x operating instructions



1x replaceable chuck

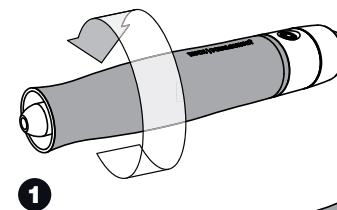


1x fixing tape
(located on the back of these instructions)

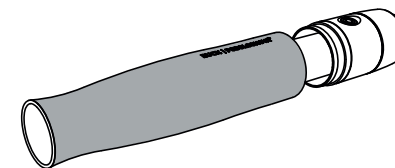


Before exchanging the clamping unit, switch off the **PODOLOG NOVA 3/3s and pull the plug.**

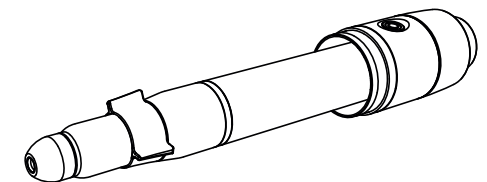
2.1 Removing the handpiece holder



1

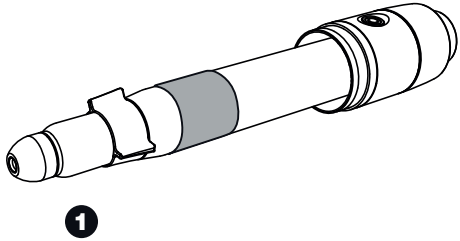


2

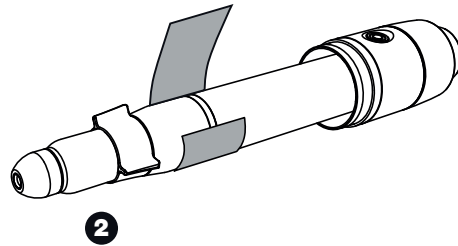


3

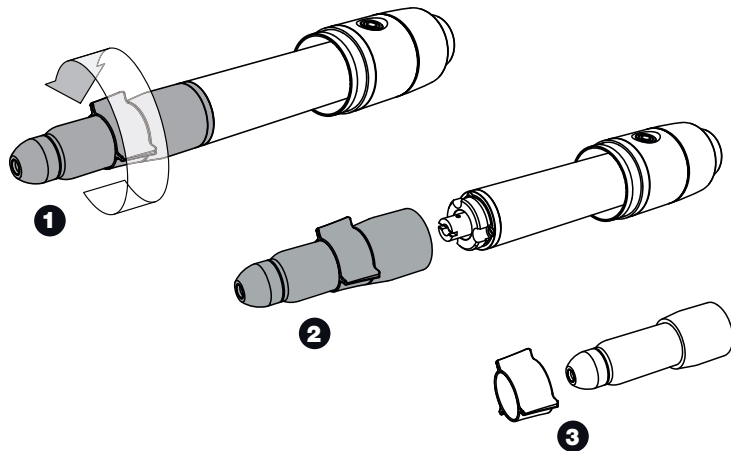
2.2 Removing the fixing tape (it may be necessary to remove residual adhesive)



If the clamping unit is not secured by fixing tape, please contact RUCK SERVICE.



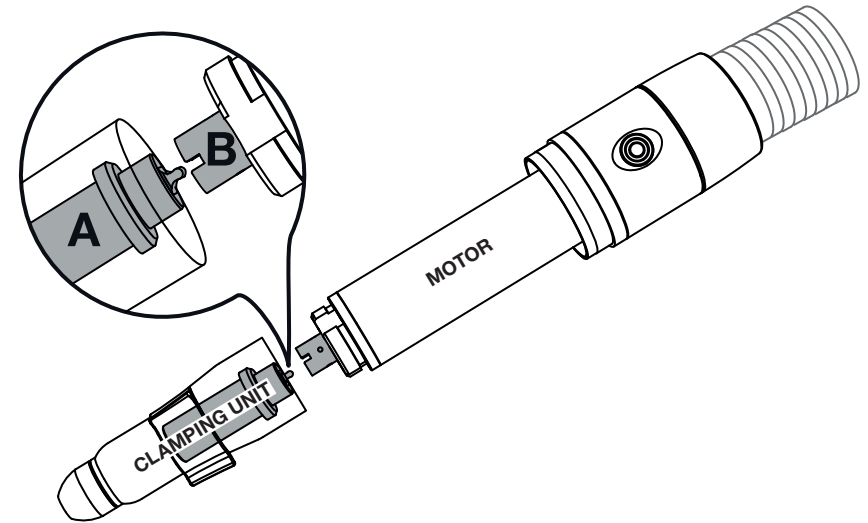
2.3 Unscrewing the clamping unit



3.1 Attaching the clamping unit to the motor



Please note that the components (A and B), shown in grey in the lower drawing, must interlock when the clamping unit is being screwed into the motor as shown in the figure. **If this is not the case, the joint or the micro motor in the handpiece can be destroyed when screwing in the clamping unit!**



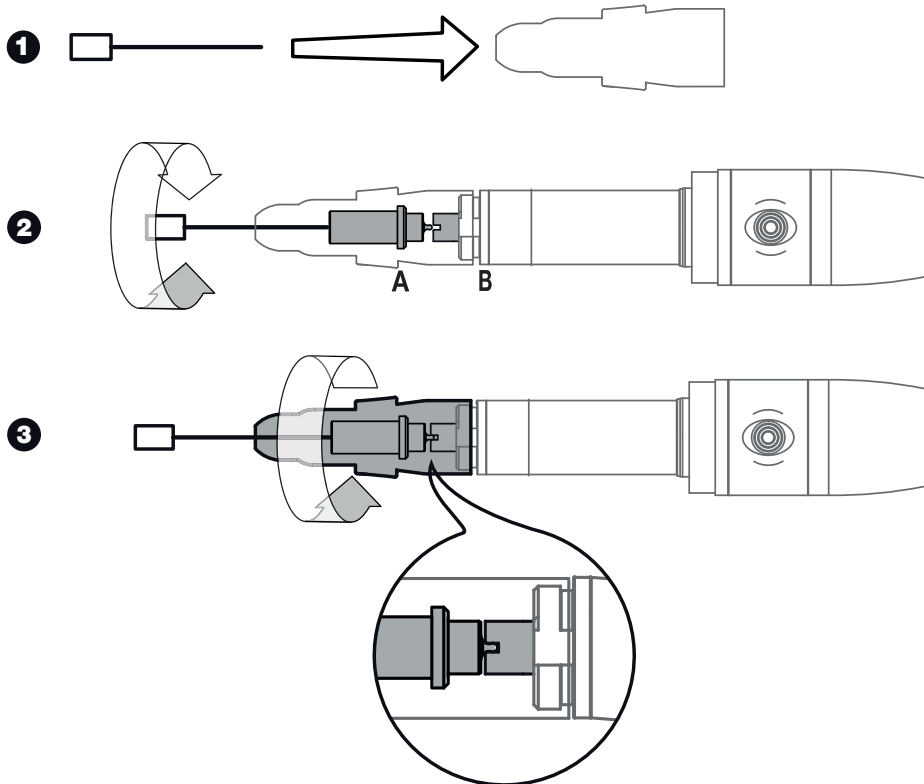
To avoid damage when screwing in the clamping unit, please proceed as follows:

- 1.) Put the clamping unit on and carefully screw it in **without force**.
- 2.) If there is resistance shortly before the end when screwing in the clamping unit, which can only be overcome with additional force, components A and B do not fit into each other. **Under no circumstances should you continue to screw it in or use additional force! Please proceed as described in point 3.2.**
- 3.) If the clamping unit can be screwed in **without difficulty, without resistance**, the parts interlock correctly. You can now reattach the fixing tape as described in section 4.1.

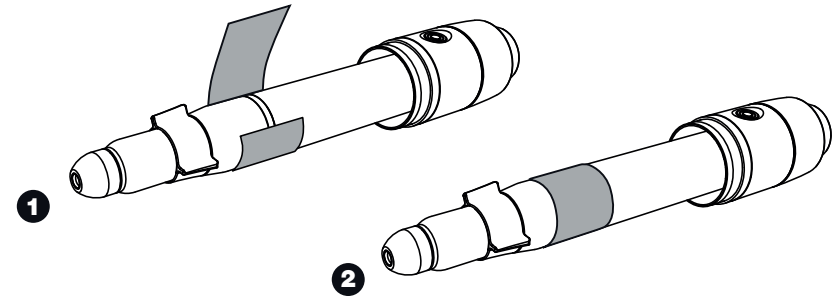
3.2 Resistance when screwing in the clamping unit

If the clamping unit cannot be completely screwed in without resistance, proceed as follows:

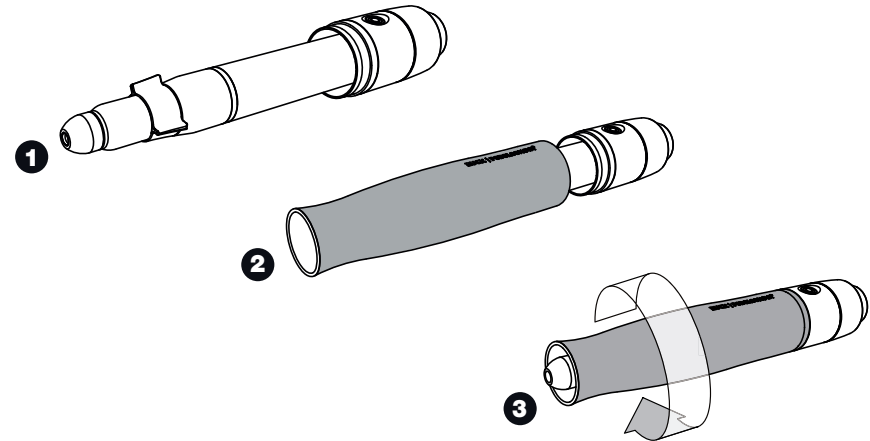
- 1.) Place any bur in the clamping unit.
- 2.) Unscrew the clamping unit by one rotation. Then rotate the bur a little bit further (approx. 1/4 rotation).
- 3.) Carefully screw in the clamping unit again. If components A and B fit together, the clamping unit can be screwed in easily without resistance. If components A and B do not fit together, resistance can be felt again when screwing in. In this case, repeat the procedure starting from point 2. Possibly, several repetitions are needed before the components fit together.



4.1 Attaching the fixing tape



4.2 Putting on the handpiece holder and screwing it on again

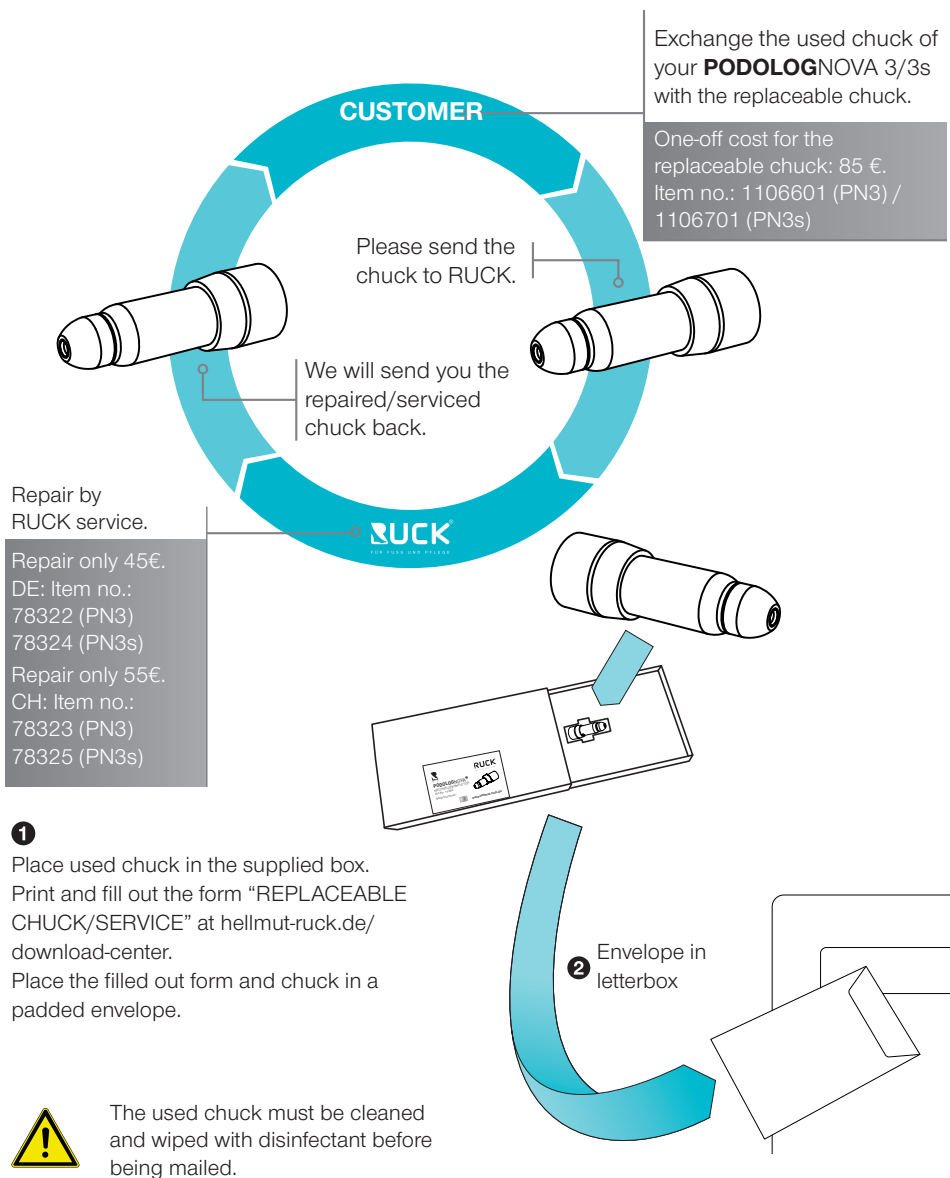


After assembling all the components as described, reconnect the **PODOLOG NOVA 3/3s** to a power source. Insert any bur and switch on the handpiece motor. The bur should run quietly and maintain its position in the handpiece.

If this is not the case, check whether the instructions in these instructions were observed when inserting the replaceable chuck.

If you have any questions, contact **RUCK SERVICE**.

You are welcome to send your used clamping unit to RUCK for inspection and repair – please contact us!



BUCK[®]
FÜR FUSS UND PFLEGE

Official representative:
Foot Care Center OÜ
Ahtri 6a, Tallinn 10151
+372 5644125
info@footcare.ee
www.jalakaubamaja.ee

